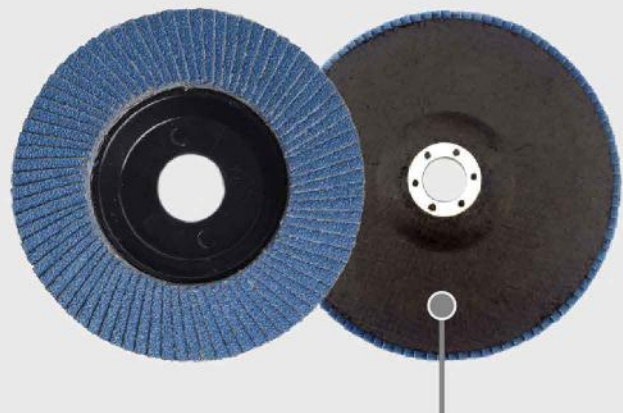


KEYING high efficient flap disc are made by the best domestic and imported abrasive clothes, and adopted by special manufacturing processes. It can achieve a durable effect of surface machining during the major portion of the service life. This product can be widely adopted by a range of materials and mechanical manufacturing industries and be used for multi-purpose rust cleaning, buffing and polishing. Key features of this range of products are sharp and durable, the grinding force are powerful, with quick heat dispelling and longer tool life.



### DETAILED DESCRIPTION:

- ▶ **Raw materials:** Aluminum Oxide、 Zirconia、 Ceramic、 Ceramic silicon carbide mixture、 Calcined alumina
- ▶ **Back Material:** Fibre and Nylon Backing pad.
- ▶ **Shape:** T27 Flat and T29 Warping
- ▶ **Outside diameter:** 100mm、 115mm、 125mm、 180mm
- ▶ **Aperture:** 16mm、 22mm
- ▶ **Particle size:** 36#-320#
- ▶ **Speed:** 13000rpm



Fibre and Nylon Backing pad

# FLAP DISC

## General information

### APPLICATION MATERIAL:

- ▶ Stainless Steel
- ▶ Super Alloys
- ▶ Hard Steel
- ▶ Other metal, eg Titanium

### ADVANTAGES:

- ▶ Sharp
- ▶ Flexible
- ▶ Grinding force
- ▶ faster scatter thermal diffusion
- ▶ Endurable
- ▶ Low noise and high performance
- ▶ Excellent polishing and finishing

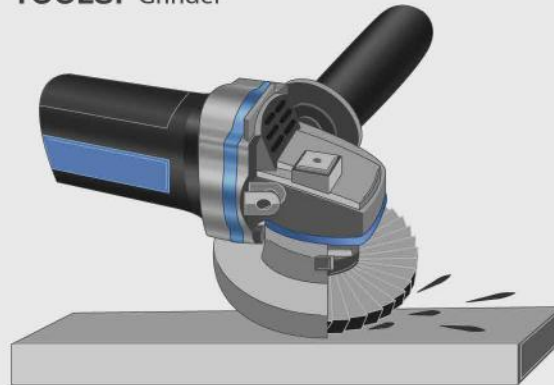
### APPLICATION PURPOSE:

- ▶ Rust removing
- ▶ Surface treatment
- ▶ Beveling
- ▶ Blending
- ▶ Deburring
- ▶ Stock removal

### TARGET MARKETS:

- ▶ Home decorating&DIY
- ▶ Paint & Drywall
- ▶ Surface repair
- ▶ Industry Processing
- ▶ Metal Fabrication/Welding
- ▶ Transportation building
- ▶ **Applicable objects:** steel, metal, aluminum alloy surface
- ▶ Of machine, and also suitable for metal polishing, convex-concave shape, jewelry making tools and equipment, and polishing buff.

### TOOLS: Grinder



Emission Filter



Haptic Filter



Noise Filter



Vibration Filter



Energy Saving



Resource Saving



Time Saving



Waste Saving



# FLAP DISC

## General information

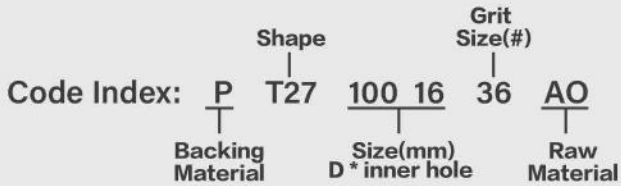


TABLE:

Flap disc										
Raw Material	Backing Material	Shape						Size(mm) D * inner hole	Grit Size(#)	Graph 3D drawing
		T27	T29	T27D (Double)	T29D (Double)	Vertical (V)	Cup (C)			
Aluminium Oxide (AO)		▪	▪	▪	▪	▪	▪	100*16	36 150	
		▪	▪	▪	▪	▪	▪	115*22	40 180	
		▪	▪	▪	▪	▪	▪	125*22	60 240	
		▪	▪	▪	▪	▪	▪	150*22	80 320	
		▪	▪	▪	▪	▪	▪	180*22	100 400	
Zirconia Blue (ZB)		▪	▪	▪	▪	▪	▪	100*16	40 60 80 120	
		▪	▪	▪	▪	▪	▪	115*22		
		▪	▪	▪	▪	▪	▪	125*22		
		▪	▪	▪	▪	▪	▪	150*22		
		▪	▪	▪	▪	▪	▪	180*22		
Zirconia Green (ZG)	Plastic / Fibre	▪	▪	▪	▪	▪	▪	100*16	40 60 80 120	
		▪	▪	▪	▪	▪	▪	115*22		
		▪	▪	▪	▪	▪	▪	125*22		
		▪	▪	▪	▪	▪	▪	150*22		
		▪	▪	▪	▪	▪	▪	180*22		
Zirconia/Ceramic Mixed (ZCM)	(P/F)	▪	▪	▪	▪	▪	▪	100*16	40 60 80 120	
		▪	▪	▪	▪	▪	▪	115*22		
		▪	▪	▪	▪	▪	▪	125*22		
		▪	▪	▪	▪	▪	▪	150*22		
		▪	▪	▪	▪	▪	▪	180*22		
Ceramic (C)		▪	▪	▪	▪	▪	▪	100*16	40 60 80 120	
		▪	▪	▪	▪	▪	▪	115*22		
		▪	▪	▪	▪	▪	▪	125*22		
		▪	▪	▪	▪	▪	▪	150*22		
		▪	▪	▪	▪	▪	▪	180*22		
SCM		▪	▪	▪	▪	▪	▪	100*16	AC AM AF	
		▪	▪	▪	▪	▪	▪	115*22		
		▪	▪	▪	▪	▪	▪	125*22		
		▪	▪	▪	▪	▪	▪	150*22		
		▪	▪	▪	▪	▪	▪	180*22		

Other dimensions custom please visit [www.kytools.cn](http://www.kytools.cn) or send to [beibei.liu@kytools.cn](mailto:beibei.liu@kytools.cn)

### SPECILIZATION:

- ▶ **Aluminium Oxide (AO)**  
For standard use on metals in general purpose. It can be both plastic and nylon backing. The flexible pressure polishing is also good for wood, stone.
- ▶ **Zirconia Blue (ZB)**  
VSM/Deerfos/Domestic material, double efficient capacity and ideally for high speed grinding, it is heat-resistant.
- ▶ **Zirconia Green (ZG)**  
Focus on saving the problem of high pressure polishing applications, it can help applicator save time and work power. Perfectly for heavy grinding, powerful self-sharpening will fasten the work.
- ▶ **Zirconia/Ceramic Mixed (ZCM)**  
Combine the strengths of fast and cool polishing, it is a good combination material for titanium alloy, alloy and stainless steels.
- ▶ **Ceramic (C)**  
High cut rate and with cool cutting, will protect the workpiece surface and allow it in a low heat transmit environment.
- ▶ **SCM**  
For fast stock removal, deburring, edge breaking, blending scratch patterns, cleaning and finishing.